



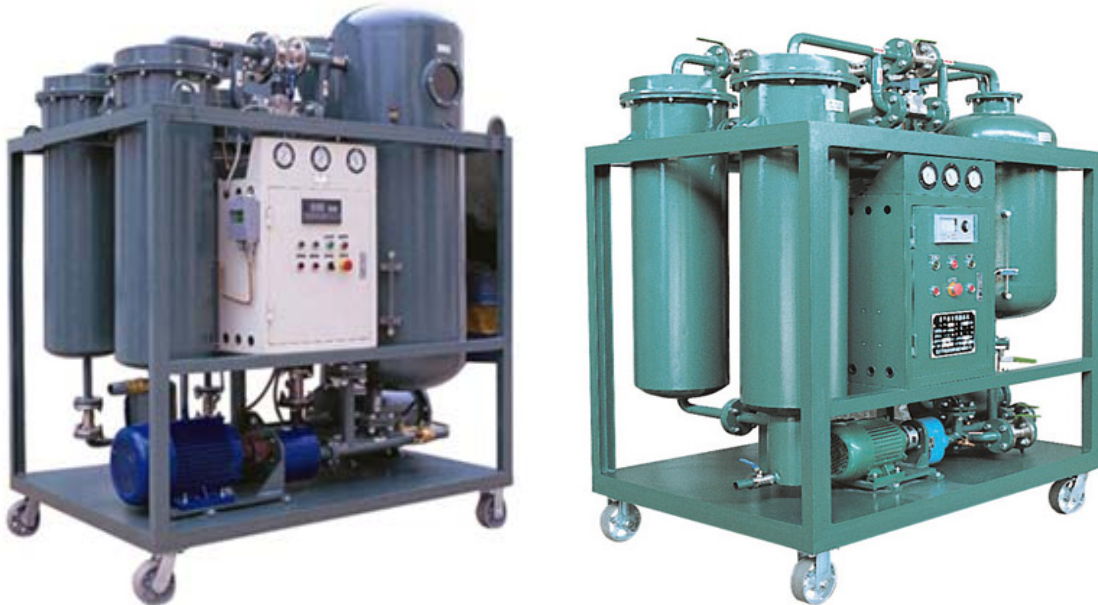
## 重庆阳江机械制造有限公司

Chongqing Yangjiang Machine Manufacturing Co., LTD

NO 75, Tianma Road, Shapingba district, Chongqing, China

Tel:0086-23- 65770714 cell:0086-18602394469 E-mail:tracylee257@gmail.com

### TZL Turbine Oil Vacuum Filtration Equipment



#### Application:

Our products are largely used in the fields of electric power, petroleum, natural gas, mine, machinery manufacturing, steel, metallurgy, chemical industry, railway station, aviation and shipping etc. large enterprise. Our products involve in High Efficiency Double Stage Vacuum Insulation Oil Purifier, High Efficiency Vacuum Oil Purifier, Turbine Exclusive Use Oil Purifier, Lubrication Exclusive Use Oil Purifier, Fire-resistant Oil Exclusive Use Oil Purifier, Portable Exclusive Use Oiling Machine and Engine Oil Purifier etc. our machines cover more than 100 kinds of products in 10 series and can meet different needs of customers. We can offer different settle blueprint according to customers' special requirement to confirm safety production and decrease cost.

#### Edges of TZL:

This machine adopts the most advanced infrared liquid automatic control system, acousto-optic automatic alarm system and pressure protective device, it can treat hydraulic, coolant oil and other lubrication in which contain large of water, vapor, impurities, sludge, dielectric and colloid, TZL series can eliminate them effectively and thoroughly.



## 重庆阳江机械制造有限公司

Chongqing Yangjiang Machine Manufacturing Co., LTD

NO 75, Tianma Road, Shapingba district, Chongqing, China

Tel:0086-23- 65770714 cell:0086-18602394469 E-mail:tracylee257@gmail.com

### Features:

- ◆ This type equipment is gathered gravitational method, gasification, coacervation, vacuum separation and new filtration technology together in a body. It can remove liquid water drastically, also can eliminate 100% free water and 95% dissolved water.
- ◆ Utilized advanced macromolecule absorption and demulsification technology can remove the water and absorb free carbon, gelatinous substance effectively, and result in the dark oil becomes limpid and transparent.
- ◆ Adopted precise multi-stage filters that could accommodate large amount of impurities and has a longer lifetime, which can remove effectively various impurities and make the cleanliness  $\leq 6$  class (NAS1638).
- ◆ Most advanced infrared liquid automatic control system, acousto-optic automatic alarm system and pressure protective device are adopted for guarantee the operation is safe and steady.
- ◆ Turbine oil and low viscosity lubricant oil can be treated on-line.

### Guarantees & Documentation:

We Warrant the plant supplied under this specification against defects in material and workmanship under normal use and service for a period of sixteen (16) months from date of shipment or twelve (12) months after the start up of the system. SMC obligation under this warranty is limited to repairing or furnishing, without charge F.O.B. point of manufacture, a similar part to replace any part, which was proven to be defective within warranty period. SMC shall not in any event be held responsible for any indirect or consequential damages. The performance guarantee will be within limitations as detailed in duty & performance paragraph of this specification.

Two(2) copies of operating & maintenance manuals are supplied with each purifier. This system are designed to operate with the utmost simplicity and is required, please contact SMC for additional charges.

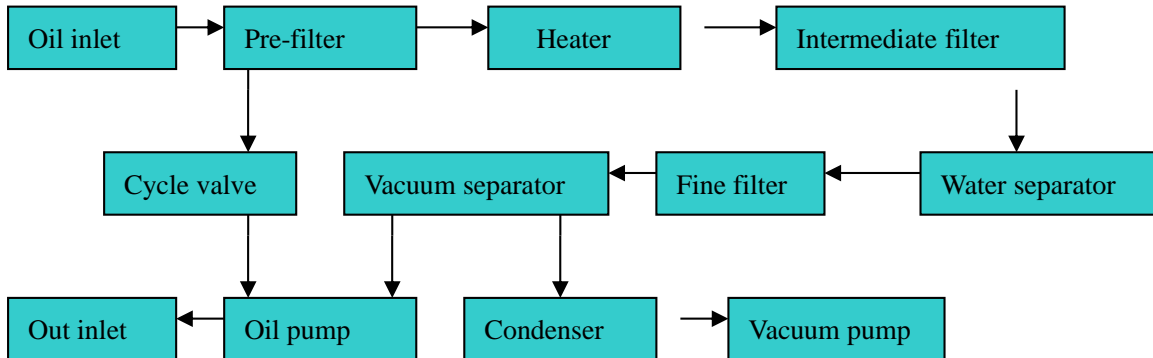
### Working principle& flow chart:

#### 1. Working principle

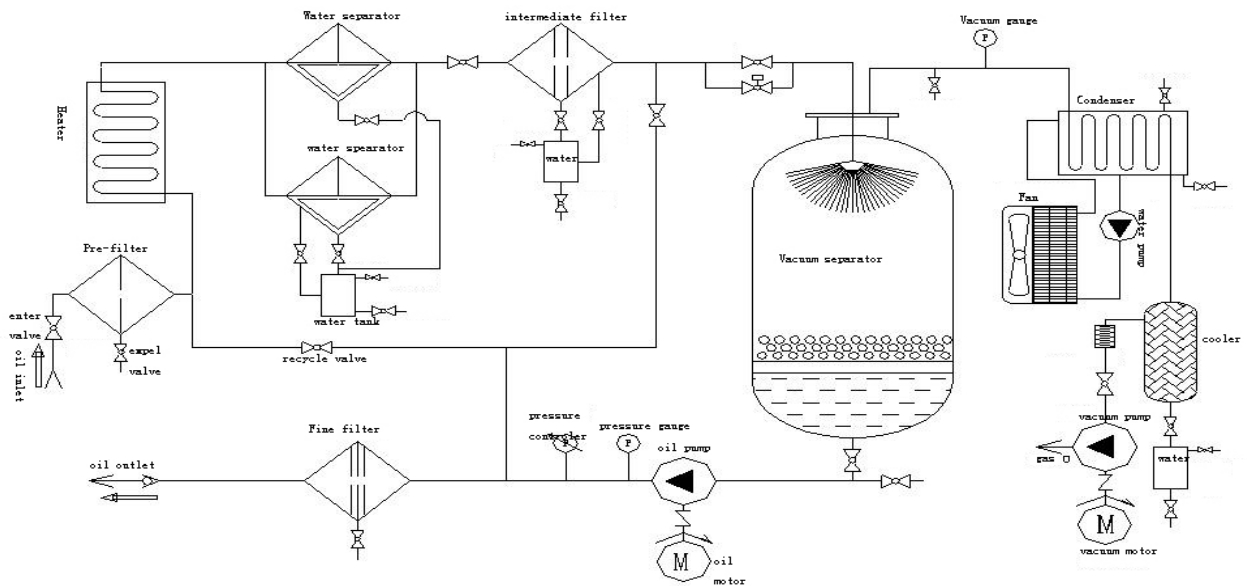
When the oil purification machine starts, contaminated oil enters into the primary filter under the effect of pressure difference, in which large particles of particulate matters are filtered off. Therefrom the oil is heated and goes into the secondary filter, in which fine particles of matters are removed. Then the oil goes into the water separator, the free, soluble water is separated from the oil and drained to the water

collector. After that, oil passes through the fine filter and fine particles of matters is removed during the process. Finally oil goes into the vacuum tank, where residual trace of water is removed and steam is condensed in the condenser or expelled out by the vacuum system. The reused oil is drained by oil pump in the end.

## 2. Flow chart



## 3. Structure





# 重庆阳江机械制造有限公司

Chongqing Yangjiang Machine Manufacturing Co., LTD

NO 75, Tianma Road, Shapingba district, Chongqing, China

Tel:0086-23- 65770714 cell:0086-18602394469 E-mail:tracylee257@gmail.com

## Technical Parameter

| Index name               | unit | TZL-10   | TZL-20 | TZL-30 | TZL-50 | TZL-75 | TZL-100 | TZL-150 | TZL-200 |      |
|--------------------------|------|--|--------|--------|--------|--------|---------|---------|---------|------|
| Flow rate                | L/H  | 600  | 1200   | 1800   | 3000   | 4500   | 6000    | 9000    | 12000   |      |
| Vacuum degree            | Mpa  | -0.06 ~ -0.096   |        |        |        |        |         |         |         |      |
| Working pressure         | Mpa  | ≤0.3   |        |        |        |        |         |         |         |      |
| Working temperature      | °C   | 40 ~ 70  |        |        |        |        |         |         |         |      |
| Water Content            | PPm  | ≤100   |        |        |        |        |         |         |         |      |
| Cleaness                 | NAS  | ≤6 grade   |        |        |        |        |         |         |         |      |
| Power supply             |      | 380V/50HZ<br>(can be designed based on user's requirement) |        |        |        |        |         |         |         |      |
| Demulsifying Value       | min  | ≤8(GB/T7305)   |        |        |        |        |         |         |         |      |
| Heating Power            | kw   | 12   | 15     | 18     | 24     | 45     | 60      | 72      | 84      |      |
| Total Power              | kw   | 14   | 17     | 20     | 27     | 48     | 66      | 81      | 97      |      |
| Diameter of Inlet&outlet | mm   | 25   | 25     | 25     | 32     | 42     | 50      | 50      | 60      |      |
| Wight                    | Kg   | 400  | 450    | 500    | 600    | 700    | 900     | 1050    | 1550    |      |
| Dimension                | L    | mm   | 1280   | 1350   | 1350   | 1400   | 1500    | 1500    | 1600    | 1800 |
|                          | W    | mm   | 750    | 900    | 950    | 950    | 1000    | 1200    | 1350    | 1400 |
|                          | H    | mm   | 1450   | 1450   | 1500   | 1600   | 1650    | 1800    | 1800    | 1850 |